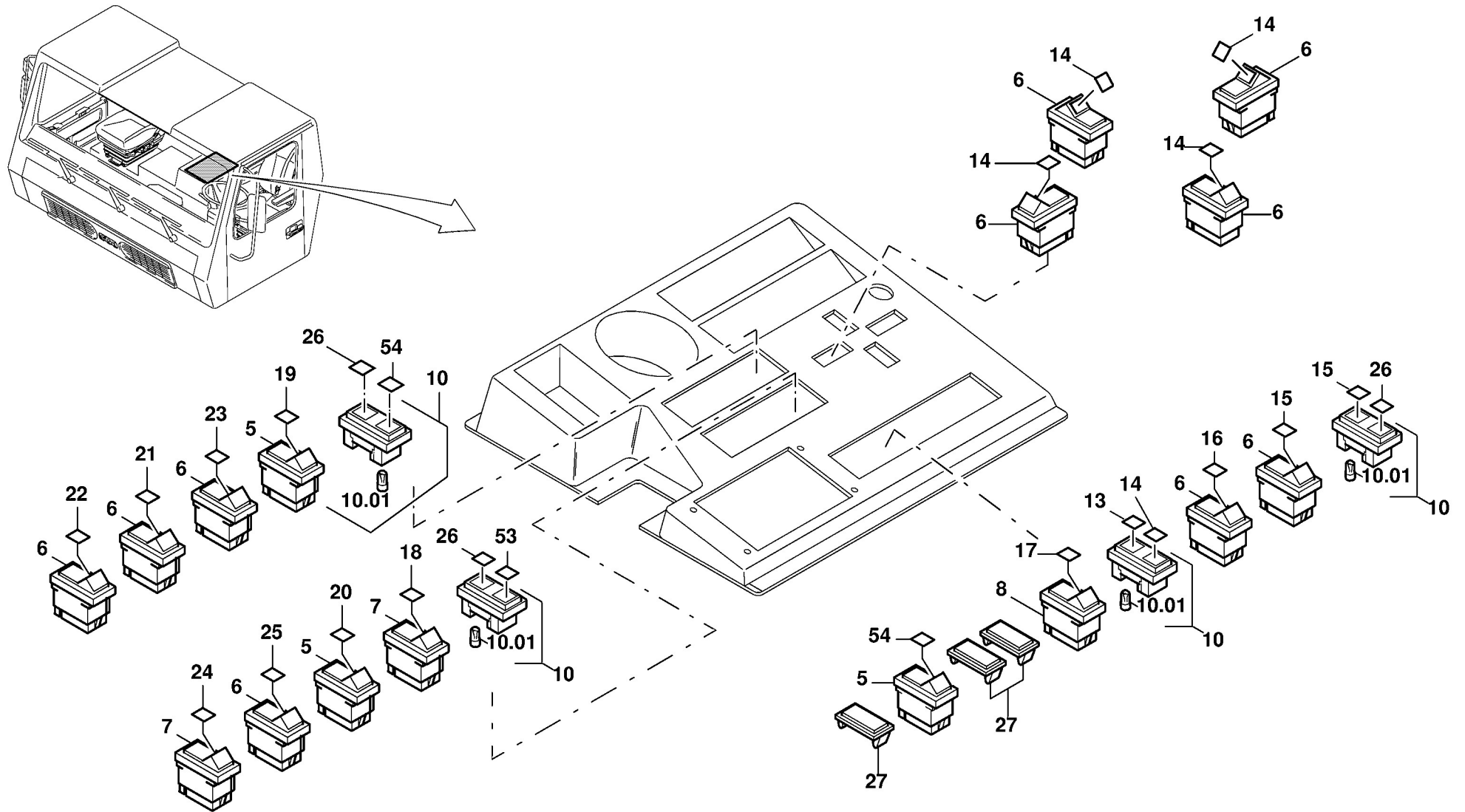


**GROVE**EINSCHUB 6.1D  
SLIDE-IN UNIT 6.1DBILDТАFЕL  
PICTORIAL DISPLAY

08.02

**3010897-ETL C**

1/2

**GMK 5200**  
**BE 550**  
**G 802**

**GROVE**EINSCHUB 6.1D  
SLIDE - IN UNIT 6.1DBILDTAFEL  
PICTORIAL DISPLAY

08.02

**3010897-ETL C**

2/2

**GMK 5200**  
**BE 550**  
**G 802**